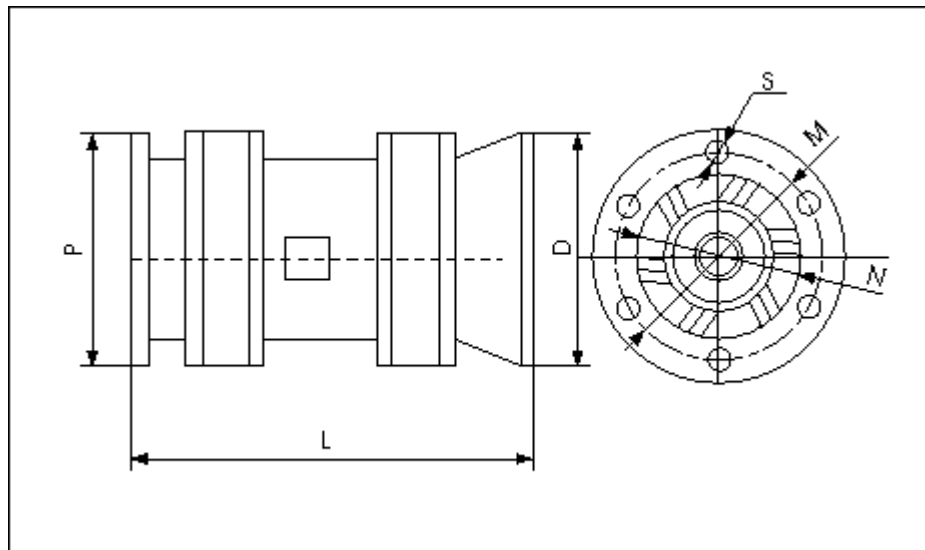




Y(J)BT series explosion-proof axial-flow local fan



Type	Overall Mounting dimensions							
	P	M	N		S	L	D	
YBT32-2	Φ 380	Φ 356	Φ 332	+0.57 0	8- Φ 9	+0.36 0	470	Φ 386
JBT51-2	Φ 600	Φ 560	Φ 510	+0.28 0	6- Φ 12	0.43 0	510	Φ 592
JBT52-2							706	
JBT62-2	Φ 690	Φ 652	Φ 616	0			876	Φ 685

Blower Performance Main Technical Specification

Type	Rated Power (kw)	Aerodynamic quality		
		Wind Pressure (Pa)	Volum of Air (m ³ /min)	Max Efficiency at Full Pressure

YBT32-2	2	1100-500	50-85	70
JBT51-2	5.5	1170-490	145-225	70
JBT52-2	11	2340-980		
YBT62-2	22	3200-1000	250-390	75