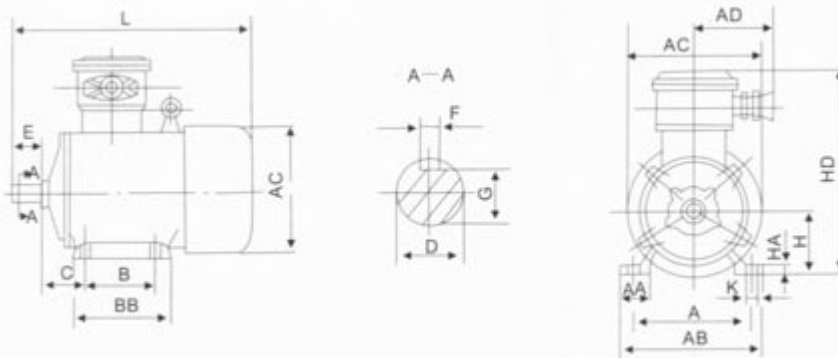




YB2 Series Explosion-Proof Three Phase Induction Motor

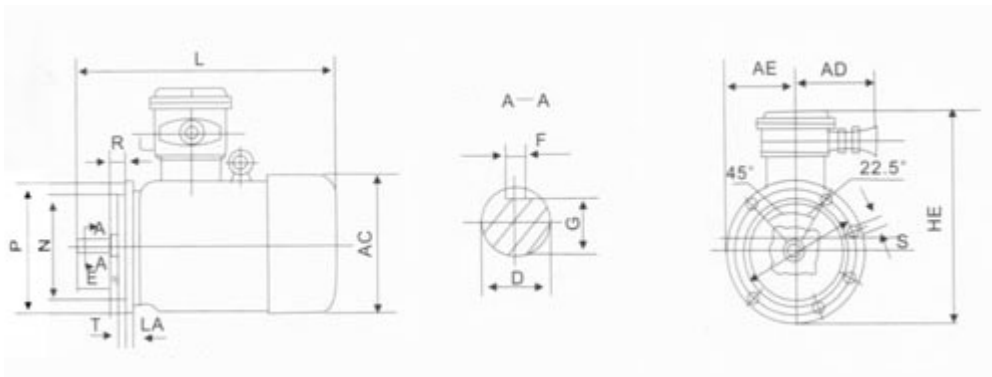
Structure B3 Frame with Foundation, Cover without Flange



Frame size	Mounting and overall dimensions																														
	H	A	B	C	D				E				F				G				K	AB	AD	AC	HD	AA	BB	HA	L		
					poles No								No of poles																		
					2	4,6	8,10	2	4,6	8,10	2	4,6	8,10	2	4,6	8,10	2	4,6	8,10	2									4,6	8	10
63	63	100	80	40	11	23	4	8.5	7	125	165		230	25	110	8	241														
71	71	112	90	45	14	30	5	11	7	140	165		250	28	114	8	267														
80	80	125	100	50	19	40	6	15.5	10	165	175	165	300	24	130	10	320														
90S	90	140	100	56	24	50	8	20	10	180	175	180	320	36	135	14	355														
90L			125						10						160		380														
100L	100	160	140	63	28	60	8	24	12	200	175	205	345	43	180	14	435														
112M	112	190	140	70	28	60	8	24	12	245	200	230	360	50	180	16	445														
132S	132	216	140	89	38	80	10	33	12	280	200	270	420	60	190	18	490														
			178												230		520														

132M																							
160M	160	254	210	108	42	110	12	37	15	330	220	330	485	70	260	25	645						
160L			254												310		685						
180M	180	279	241	121	48	110	14	42.5	15	355	220	360	525	70	311	22	720						
180L			279												349		740						
200L	220	318	305	133	55	110	16	49	19	390	250	400	645	70	370	25	805						
225S	225	356	286	149	55	60	110	140	16	18	49	53	19	435	250	450	690	75	355	28	865		
225M			311																380		860 890		
250M	250	406	349	168	60	65	140	18	53	58	24	490	300	500	720	80	420	30	945				
280S	280	457	368	190	65	75	140	18	20	58	67.5	24	545	300	560	790	85	438	35	1010			
280M			419															489		1060			
315S			406															551		1240	1270	1270	
315M	315	508	457	216	65	80	140	170	18	22	58	71	28	640	400	630	1020	130	602	38	1320	1350	1350
315L			508																653		1410	1440	1440

Structure B5、V1、Frame without Foundation,Cover with Flange



Frame size	Mounting and overall dimensions																						
	D		E		F		G		T	M	N	P	R	S	AD	AE	AC	LA	HE	L			
	poles No																			No of poles			
	2	4,6 8,10	2	4,6 8,10	2	4,6 8,10	2	4,6 8,10	2	4,6 8,10	2	4,6 8	10										
63	11		23		4		8.5	3.0	115	95	140	0	4XΦ10	165	70	130	12	237	241	241			
71	14		30		5		11	3.0	130	110	160	0	4XΦ10	165	80	145	12	250	267	267			
80	19		40		6		15.5	3.5	165	130	300	0	4XΦ12	175	100	15	12	320	320	320			
90S																				355	355		
90L	24		50		8		20	3.5	165	130	200	0	4XΦ12	175	100	180	12	330	380	380			
100L	28		60		8		24	4.0	215	180	250	0	4XΦ15	175	125	205	14	370	435	435			
112M	28		60		8		24	4.0	215	180	250	0	4XΦ15	200	125	230	14	373	445	445			

132S	38		80		10		33		4.0	265	230	300	0	4XΦ15	200	150	270	14	438	490	490	
132M	38		80		10		33		4.0	265	230	300	0	4XΦ15	200	150	270	14	438	520	520	
160M	42		110		12		37		5.0	300	250	350	0	4XΦ19	220	175	330	16	500	645	645	
160L																				685	685	
180M	48		110		14		42.5		5.0	300	250	350	0	4XΦ19	220	175	360	18	520	720	720	
180L																				740	740	
200L	55		110		16		49		5.0	350	300	400	0	4XΦ19	250	200	400	18	645	805	805	
225S	55	60	110	140	16	18	49	53	5.0	400	350	450	0	8XΦ19	250	225	450	20	690		865	
225M																				860	890	
250M	60	65	140		18		53	58	5.0	500	450	550	0	8XΦ19	300	275	500	22	745		945	
280S	65	75	140		18	20	58	67.5	5.0	500	450	550	0	8XΦ19	300	275	560	22	785	1010	1010	
280M																				1060	1060	
315S	65	80	140	170	18	22	58	71	6.0	600	550	660	0	8XΦ24	400	330	630	25	1035	1240	1270	1270
315M																				1320	1350	1350
315L																				1410	1440	1440

Type	Rated Output		Voltage	Current	Frequency	Speed
	(kW)	(HP)	(V)	(A)	(Hz)	(r/min)
Synchronous speed 3000r/min 2P						
YB2-801-2	0.75	1	380	1.8	50	2840
YB2-802-2	1.1	1.5	380	2.6	50	2840
YB2-90S-2	1.5	2	380	3.4	50	2850
YB2-90L-2	2.2	3	380	4.8	50	2850
YB2-100L-2	3	4	380	6.2	50	2870
YB2-112M-2	4	5.5	380/660	8.1/4.7	50	2890
YB2-132S1-2	5.5	7.5	380/660	11.1/6.3	50	2900
YB2-132S2-1	7.5	10	380/660	14.8/8.6	50	2900
YB2-160M1-2	11	15	380/660	21.6/12.5	50	2940
YB2-160M2-1	15	20	380/660	28.8/16.6	50	2940
YB2-160L-2	18.5	25	380/660	35.5/20.5	50	2940
YB2-180M-2	22	30	380/660	41/23.7	50	2950

YB2-200L1-2	30	40	380/660	55.5/32.1	50	2950
YB2-200L2-2	37	50	380/660	67.9/39.2	50	2950
YB2-225M-2	45	60	380/660	82.1/47.4	50	2960
YB2-250M-2	55	75	380/660	99.7/57.5	50	2970
YB2-280S-2	75	100	380/660	134.4/77.5	50	2970
YB2-280M-2	90	125	380/660	160.2/92.5	50	2970
YB2-315S-2	110	154	380/660	195.4/112.5	50	2980
YB2-315M-2	132	184	380/660	233.2/134.3	50	2980
YB2-315L1-2	160	222	380/660	279.3/160.8	50	2980
YB2-315L2-2	200	279	380/660	348.4/200.6	50	2980
Synchronous speed 1500r/min 4P						
YB2-801-4	0.55	0.75	380	1.5	50	1390
YB2-802-4	0.75	1	380	2	50	1390
YB2-90S-4	1.1	1.5	380	2.9	50	1390
YB2-90L-4	1.5	2	380	3.7	50	1390
YB2-100L1-4	2.2	3	380	5.1	50	1420
YB2-100L2-4	3	4	380	6.8	50	1420
YB2-112M-4	4	5.5	380/660	8.8/5.1	50	1430
YB2-132S-4	5.5	7.5	380/660	11.5/6.7	50	1440
YB2-132M-4	7.5	10	380/660	15.4/8.9	50	1440
YB2-160M-4	11	15	380/660	22.3/12.9	50	1460
YB2-160L-4	15	20	380/660	30.1/17.4	50	1460
YB2-180M-4	18.5	25	380/660	36.5/21.1	50	1470
YB2-180L-4	22	30	380/660	43.1/24.9	50	1470
YB2-200L-4	30	40	380/660	57.6/33.3	50	1470
YB2-225S-4	37	50	380/660	69.9/40.3	50	1480
YB2-225M-4	45	60	380/660	84.7/48.9	50	1480
YB2-250M-4	55	75	380/660	102.7/59.3	50	1480
YB2-280S-4	75	100	380/660	139.6/80.6	50	1480

YB2-280M-4	90	125	380/660	166.9/96.3	50	1480
YB2-315S-4	110	154	380/660	198.7/114.4	50	1485
YB2-315M-4	132	184	380/660	237.7/136.9	50	1485
YB2-315L1-4	160	222	380/660	284.3/163.7	50	1485
YB2-315L2-4	200	279	380/660	354.7/204.2	50	1485
Synchronous speed 1000r/min 6P						
YB2-801-6	0.37	0.5	380	1.3	50	890
YB2-802-6	0.55	0.75	380	1.7	50	890
YB2-90S-6	0.75	1	380	2.3	50	910
YB2-90L-6	1.1	1.5	380	3.1	50	910
YB2-100L-6	1.5	2	380	3.9	50	930
YB2-112M-6	2.2	3	380	5.6	50	940
YB2-132S1-6	3	4	380	7.3	50	970
YB2-132S2-6	4	5.5	380/660	9.4/5.4	50	970
YB2-160M1-6	5.5	7.5	380/660	12.6/7.2	50	970
YB2-160M2-6	7.5	10	380/660	16.8/9.7	50	970
YB2-160L-6	11	15	380/660	24.3/14	50	970
YB2-180M-6	15	20	380/660	31.6/18.3	50	980
YB2-200L1-6	18.5	25	380/660	37.6/21.7	50	980
YB2-200L2-6	22	30	380/660	44.7/25.8	50	980
YB2-225M-6	30	40	380/660	57.6/33.3	50	980
YB2-250M-6	37	50	380/660	69.8/40.3	50	980
YB2-280S-6	45	60	380/660	85.9/49.6	50	990
YB2-280M-6	55	75	380/660	104.7/60.5	50	990
YB2-315S-6	75	100	380/660	141.7/81.6	50	990
YB2-315M-6	90	125	380/660	169.5/97.6	50	990
YB2-315L1-6	110	154	380/660	206.7/119	50	990
YB2-315L2-6	132	184	380/660	244.7/140.9	50	990
Synchronous speed 750r/min 8P						

YB2-801-8	0.18	0.25	380	0.8	50	650
YB2-802-8	0.25	0.34	380	1.1	50	650
YB2-90S-8	0.37	0.5	380	1.4	50	670
YB2-90L-8	0.55	0.75	380	2.1	50	670
YB2-100L1-8	0.75	1	380	2.4	50	690
YB2-100L2-8	1.1	1.5	380	3.3	50	690
YB2-112M-8	1.5	2	380	4.4	50	690
YB2-132S-8	2.2	3	380	5.6	50	710
YB2-132M-8	3	4	380	7.6	50	710
YB2-160M-8	4	5.5	380/660	10.3/5.9	50	720
YB2-160L-8	5.5	7.5	380/660	13.4/7.8	50	720
YB2-180M-8	7.5	10	380/660	17.5/10.1	50	720
YB2-180L-8	11	15	380/660	25.3/14.6	50	730
YB2-200L-8	15	20	380/660	33.7/19.5	50	730
YB2-225S-8	18.5	25	380/660	40/23.1	50	740
YB2-225M-8	22	30	380/660	47.4/27.3	50	740
YB2-250M-8	30	40	380/660	63.4/36.6	50	740
YB2-280S-8	37	50	380/660	77.8/44.9	50	740
YB2-280M-8	45	60	380/660	94.1/54.3	50	740
YB2-315S-8	55	75	380/660	111.2/64	50	740
YB2-315M-8	75	100	380/660	151.3/87.1	50	740
YB2-315L1-8	90	125	380/660	177.8/102.4	50	740
YB2-315L2-8	110	154	380/660	216.8/124.8	50	740
Synchronous speed 600r/min 10P						
YB2-315S-10	45	60	380/660	99.1/57.1	50	585
YB2-315M-10	55	75	380/660	121.1/69.7	50	585
YB2-315L1-10	75	100	380/660	162.1/93.3	50	585
YB2-315L2-10	90	125	380/660	191/110	50	585